

GLASS FIBER REINFORCED GYPSUM COLUMN COVER

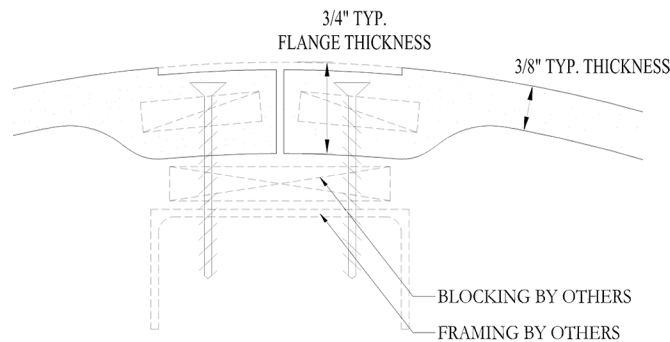
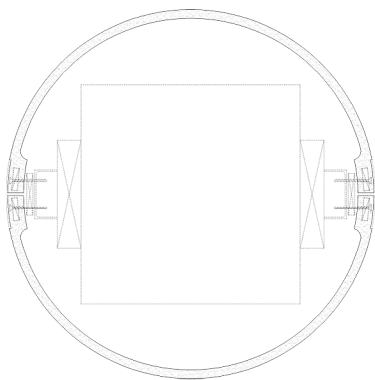
PHYSICAL CHARACTERISTICS

Shell Thickness:	1/4" Nominal Standard ($\pm 1/8"$ /Unit)[6mm ± 3 mm] {1/2" minimum at edges}		
Glass Fiber:	6% min. (by Weight) (Volumetric measurements not valid)		
Weight:	1.5-2.0 (lbs/ft ²)[7-10(kg/m ²)(varies with embedment/reinforcement)		
Strength:	Flexural:		
	Modulus of Rupture (MOR)	3200 – 3500 (PSI)	[22 - 24 (Mpa)]
	Flexural Modulus of Elasticity	1.3 – 1.9 x 10 ⁶ (PSI)	[1.3 - .9 x 10 ⁷ (kPa)]
	Tensile:		
	Ultimate Tensile (UTS)	1800 – 2000 (PSI)	[12 - 14 Mpa]
	Modulus of Elasticity	2.7 – 3.8 x 10 ⁶ (PSI)	[1.9 - 2.6 x 10 ⁷ (kPa)]
	Compressive Strength	7200 – 8300 (PSI)	
Heat:	Thermal Conductivity	4.0 – 4.2 (BTU/in/hr/ft ² /°F)	[22.7 - 23.8 (W/m ² °C)]
	Thermal Expansion Coefficient	8 x 10 ⁻⁶ (in/in/°F)	[14 x 10 ⁻⁶ (mm/mm/°C)]
Fire:	ASTM E84-80 (Incombustible Building Material) Flame, Fuel = 0, Smoke = 0		
Toxicity:	(NBS Certification MEA 42-82) = 0		
Density:	(Dry) 105 – 114 (PCF) [1680 – 1826 (kg/m ³)]		
Hardness:	95 RH (min.) (Rockwell Scale)		
Tolerances:	Fabrication:		
	Dimensional – all directions	$\pm 1/8"$	
	Warpage or Bowing	$\pm 1/16"$ /foot	
	Square / Skew /Diagonal	$\pm 1/8"$ in 10'	
	Out of Round	$\pm 1/16"$ / foot of diameter	
	Installed:		
	Humidified Deflection:	1/8" max (Industry standard)	

AVAILABLE SIZES

DIAMETER	HEIGHT
12"	12' - 0"
14"	12' - 0"
16"	12' - 0"
18"	12' - 0"
20"	14' - 0"
22"	14' - 0"
24"	12' - 0"
26"	14' - 0"
28"	17' - 0"
30"	14' - 0"
32"	14' - 0"
34"	13' - 0"
36"	13' - 0"
40"	12' - 0"
42"	13' - 0"
46"	10' - 0"
48"	8' - 0"

SECTION THROUGH



TAPE JOINT DETAIL

PROJECT DATA

PROJECT NAME:	QUANTITY	DIAMETER	HEIGHT	OPTIONS (REVEAL, ETC...)
ARCHITECT:				
DEALER:				
CONTRACTOR:				
LOCATION:	SPECIAL INSTRUCTIONS:			
DATE:				
TAGGING INSTRUCTIONS:	SUBMITTAL APPROVAL:			

